



DIXIE PRECAST, INC.

2950 ANGELETTE DRIVE, AUSTELL, GEORGIA 30106

(770) 944-1930 Fax (770) 944-9136

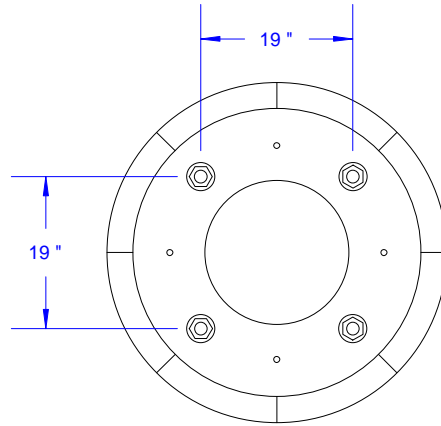
www.dixieprecast.com

DIXIE PRECAST

THIS PRINT REPRESENTS A PROPRIETARY PRODUCT AND IS OWNED BY DIXIE PRECAST INC. FOR THE USE OF ITS CUSTOMERS. IS NOT TO BE CONVEYED, NOR COPIED BY ANY OTHER PARTY WITHOUT THE EXPRESS WRITTEN APPROVAL OF THE OWNER.

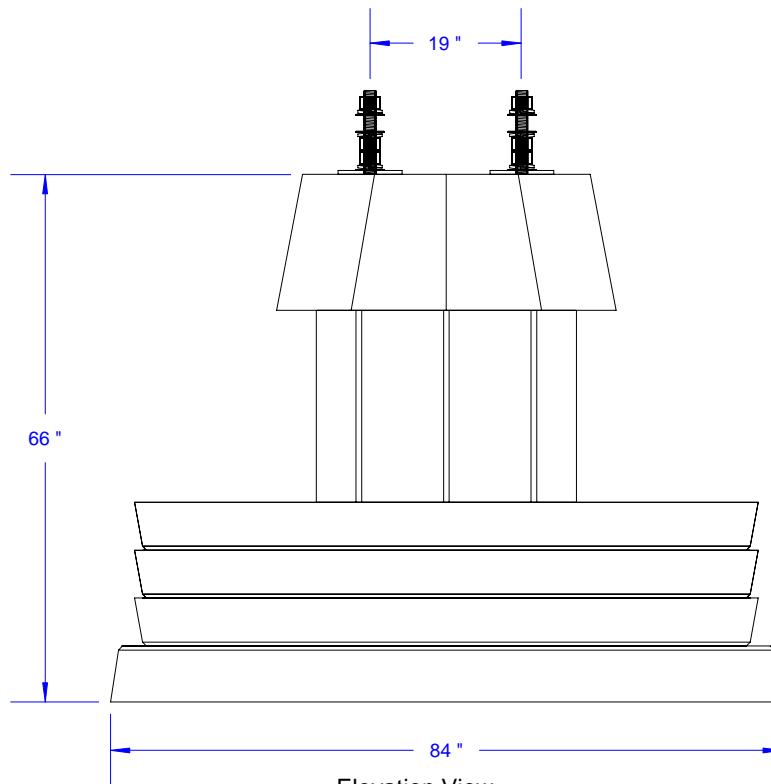
THIS PRODUCT IS COVERED BY ONE OR MORE PATENTS

PATENTED



Top Detail

Bill of Material	
Qty	Description
1	DP-4B Mk. BASE
3	DP-4B Mk. # 2
1	24" DP-4B Spider With 19" x 19" Bolt Spacing
1	DP-4B Top
4	1 1/2" x 74" Bolts With 4 Nuts, 4 LW, 4 FW Each



Elevation View

Total Weight 16,000 lbs.

DP-4B Single Mast Cantilever Foundation

Elevation View